

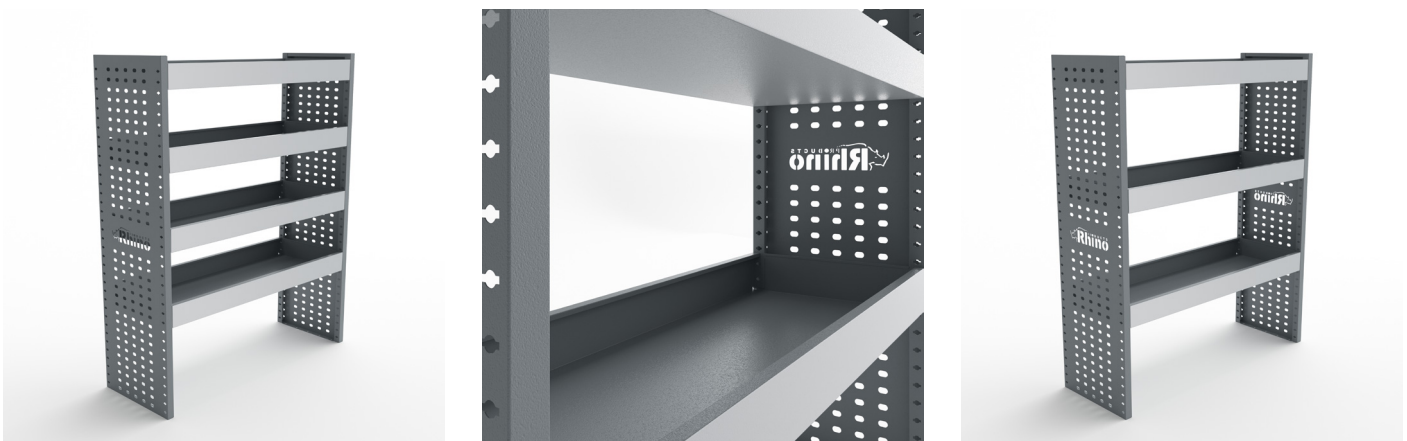
### MR4 – Van racking done the rhino way.

Our MR4 van racking range represents the first internal commercial vehicle product in Rhino’s 20-year history of being a leading van accessory manufacturer.

The MR4 Modular Racking range from Rhino Products, takes their design principles of quality, innovation and stunning aesthetics to a whole new level with their first internal van product. It provides van users the perfect system for organising their tools and equipment.

This strong yet lightweight van racking system comes with a bespoke fitting kit for every vehicle, meaning that not only are the length and height of every configuration custom-measured to maximise the storage potential of your van, but a bespoke fitting kit provides the easiest and quickest fitting process possible.

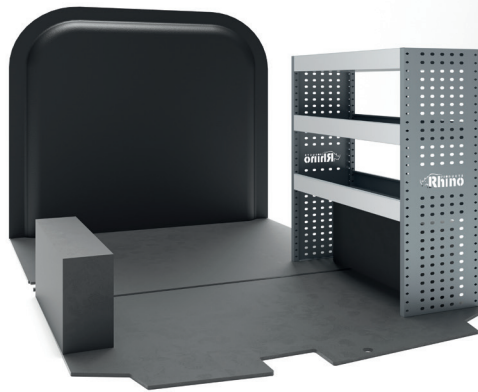
Dimensions		Measurements
- Storage capacity		Top shelf 10kg, all other shelves 35kg
- Shelf length	(L)	800, 900, 1000, 1200, 1400, 1600mm
- Leg panel height	H	1100, 1300, 1500, 1600, 1700mm
- Leg panel depth	D	380mm (top staggered units reduce down to 275mm at the top)
- Leg panel length	L2	30mm as standard
- Shelf height	H2	85mm
- Shelf depth	D2	380mm (275mm also available for top staggered units)



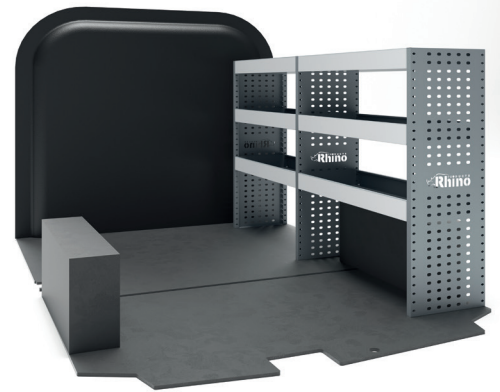
### MODULAR DESIGN

MR4 is modular in design which means it can be easily configured to meet a range of requirements. Our next day delivery range is made up of flat pack boxes of either 3 or 4 shelves of various lengths, 2 or 3 leg panels of various heights and bespoke fitting kits.

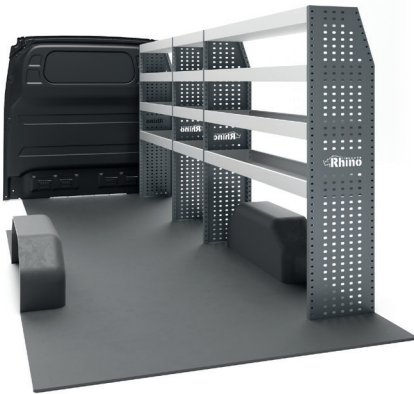
The modular design means there is no need to double stack leg panels when adding bays alongside each other, instead the shelves can be fitted to both sides of a single panel.



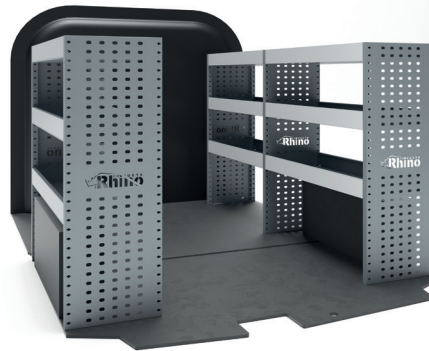
Single Unit



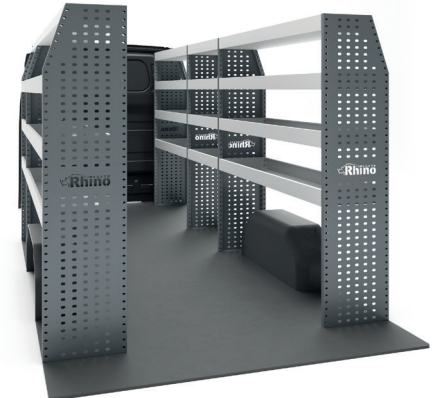
Double Unit



Triple Unit



Full Configuration 3 Bays

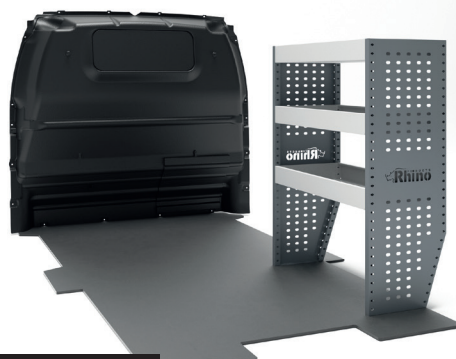


Full Configuration 5 Bays

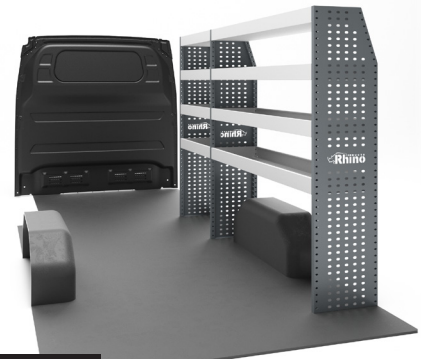
System	Number of Leg Panels	Number of Bays	Approx Fitting Time
Single Unit	2	1	45 mins
Double Unit	3	2	60 mins
Triple Unit	4	3	75 mins
Full Configuration 3 Bays	5	3	75 mins
Full Configuration 5 Bays	7	5	75 mins

### STAGGERED LEGS

For certain vehicles we provide either top or bottom staggered leg panels to fit around obstructions such as wheel arches or the curvature of the roof. The upmost shelf of top staggered racking units is a slightly narrower depth of 275mm.



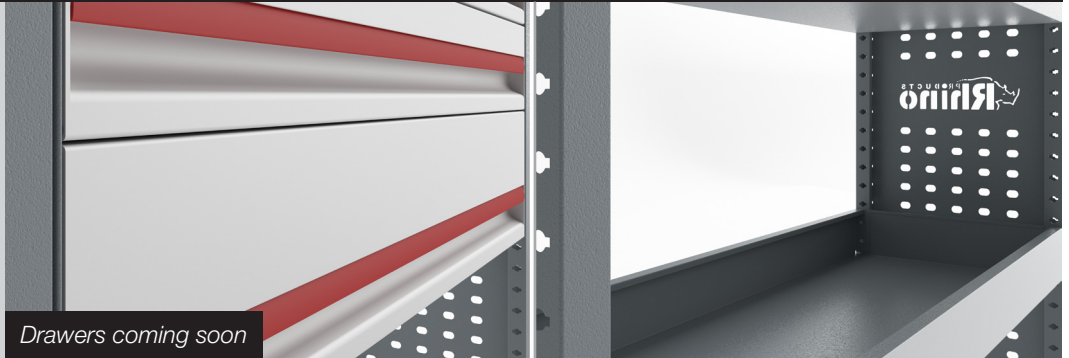
Bottom Stagger



Top Stagger

## STUNNING AESTHETICS

MR4 racking units have been designed to complement any modern van interior. The stylish Rhino Products logo cut-out and powder-coated grey paint colour are finished off with smaller design touches like the stylish aluminium drawer fronts (coming soon).



## BESPOKE RACKING FOR EVERY VAN

The length and height of all the MR4 racking configurations in our range have been precisely specified to maximise the storage capacity of each van.



## QUICK AND EASY FITTING

The system is quick to assemble and utilises innovative 'blind-bolts' and self-fixing tek-screws to make securing it to your van as fast and easy as possible.

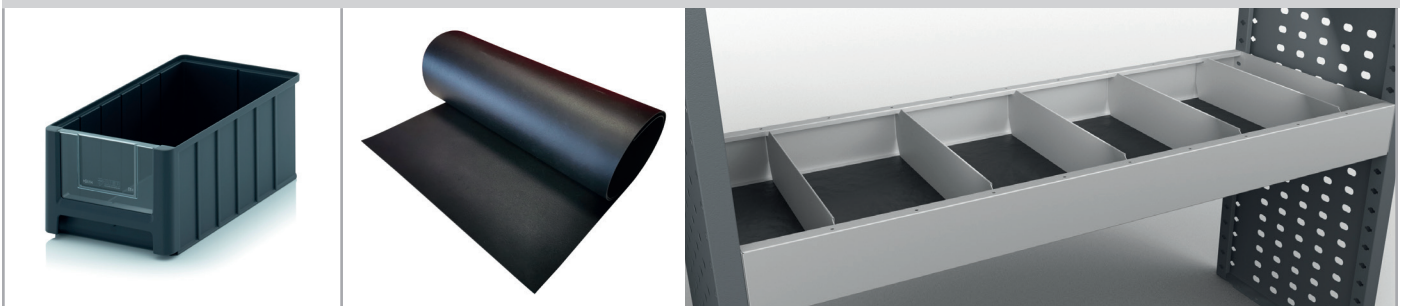


## FLATPACK BOXES

Shipping of the MR4 range is incredibly quick, thanks to the standard range being flat-packed, in stock and available on a same day despatch/next day delivery service for most locations.

## ACCESSORIES

A range of additional accessories are coming to our MR4 range, including shelf dividers, stylised linbins, shelf matting, drop doors, drop fronts, tool box holders, extended shelves and much more.



## LEG PANEL PACKS

Code	Legs Per Pack	Type	Height	Left Stagger Legs	Right Stagger Legs	Standard Legs
B311-2	2	Bottom Stagger	1100mm	1	1	0
B311-3	3	Bottom Stagger	1100mm	1	1	1
L311-2	2	Standard	1100mm	0	0	2
L311-3	3	Standard	1100mm	0	0	3
L313-2	2	Standard	1300mm	0	0	2
L313-3	3	Standard	1300mm	0	0	3
L315-2	2	Standard	1500mm	0	0	2
L315-3	3	Standard	1500mm	0	0	3
L316-2	2	Standard	1600mm	0	0	2
L316-3	3	Standard	1600mm	0	0	3
L317-2	2	Standard	1700mm	0	0	2
L317-3	3	Standard	1700mm	0	0	3
T316-2	2	Top Stagger	1600mm	1	1	0
T316-3	3	Top Stagger	1600mm	1	2	0
T317-2	2	Top Stagger	1700mm	1	1	0
T317-3	3	Top Stagger	1700mm	1	2	0

## SHELF PACKS

Code	Legs Per Pack	Type	Length	380mm Depth Shelves	275mm Depth Shelves
SH308-3	3	Standard	800mm	3	0
SH309-3	3	Standard	900mm	3	0
SH310-3	3	Standard	1000mm	3	0
SH312-3	3	Standard	1200mm	3	0
SH314-3	3	Standard	800mm	3	0
SH308-4	4	Standard	800mm	4	0
SH309-4	4	Standard	900mm	4	0
SH310-4	4	Standard	1000mm	4	0
SH312-4	4	Standard	1200mm	4	0
SH314-4	4	Standard	1400mm	4	0
SH316-4	4	Standard	1600mm	4	0
SH308T-4	4	Top Stagger	800mm	3	1
SH310T-4	4	Top Stagger	1000mm	3	1
SH312T-4	4	Top Stagger	1200mm	3	1
SH314T-4	4	Top Stagger	1400mm	3	1
SH316T-4	4	Top Stagger	1600mm	3	1

## MATERIAL

## WHERE USED

## ADVANTAGES

### Powder Coated Steel

- Leg Panels
- Shelves
- Robust
- Stylised finish

### Mild Steel

- Fixings
- Mounting extrusions
- Drawer runners
- Brace bars
- Side fixing plates and dividers
- High strength

### Aluminium

- Drawer fronts and handles
- Great aesthetics

